

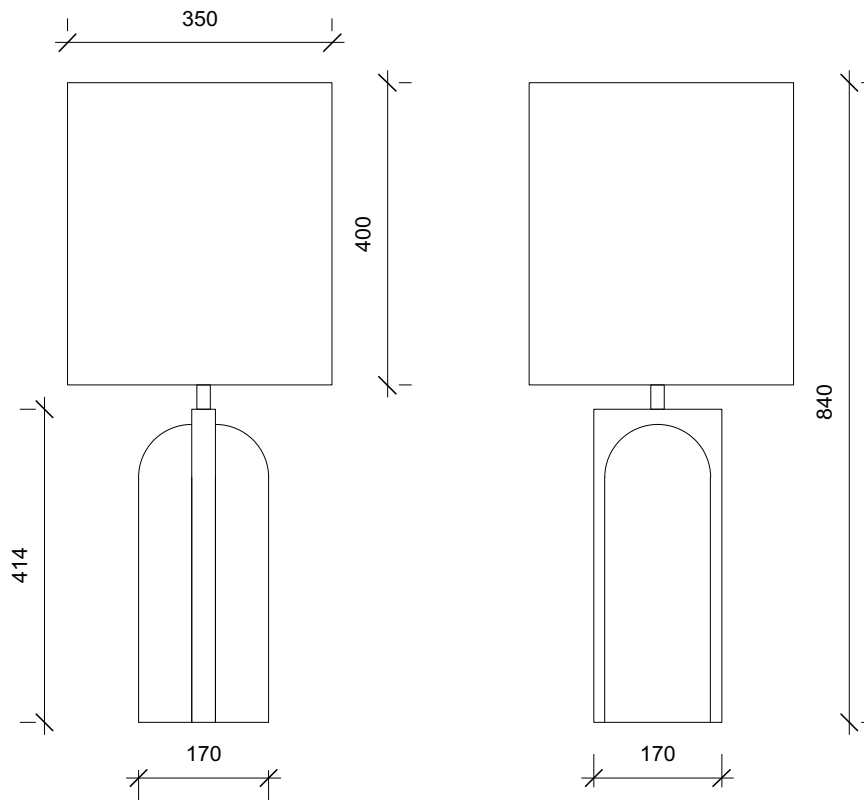


SQUARE IN CIRCLE
S T U D I O

BOOK ENDS – TABLE LAMP

REF TL 037

The refined contemporary style of this table lamp is crafted from a tapered and rounded black marble base which is halved and has a metal base panel inserted. The design of this lamp is inspired by book ends. Crafted from black marble, brushed brass and a white cotton shade.



MATERIAL:

Electroplated Iron/ hand brushed finish

RECOMMENDED LAMP: 1 x LED E27 Bulb

FINISH:

Brushed brass/ black marble/ white cotton shade

MAX WATTAGE:

100W

VOLTAGE:

230V

DIMENSION :

Height 840mm

33"

NET WEIGHT:

11.5kg

25.3lb

Base width 170mm

6.7"

Shade height 400mm

15.7"

Shade dia 350mm

13.7"

SQUARE IN CIRCLE STUDIO LTD, T: +44 (0) 203 663 9244

info@squareincircle.com, www.squareincircle.com

© All lighting designs in this document are owned by Square in Circle Studio Ltd and are strictly copyright.
Any attempt to reproduce these designs could result in legal action.