

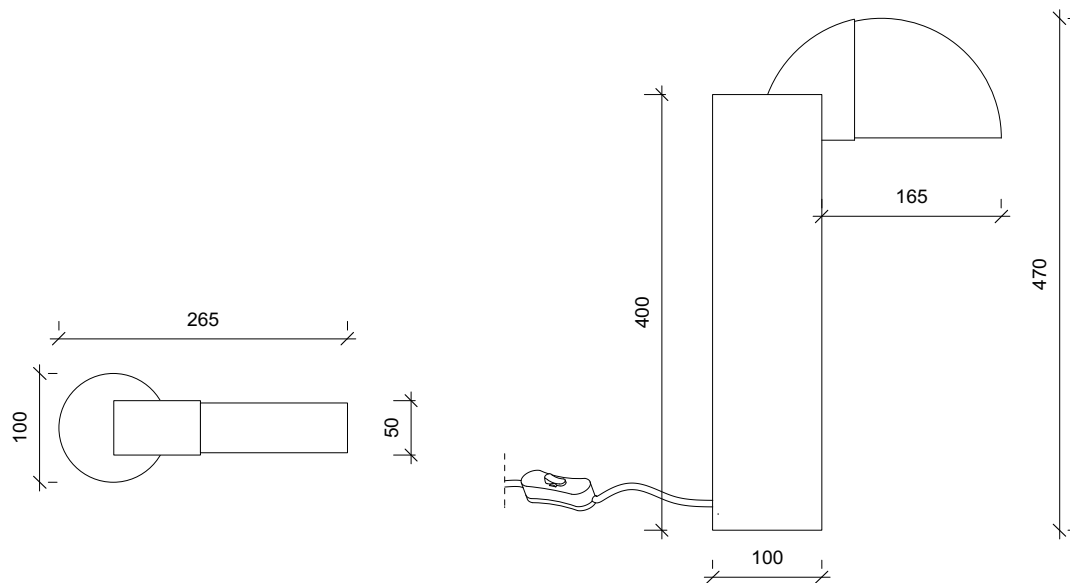


SQUARE IN CIRCLE  
S T U D I O

## SHADOW – TABLE LAMP

REF TL 022

This table lamp was inspired by the Laszlo Moholy-Nagy painting Segments, in which the artist explores the way to represent light and shadows in the form of semi-circles. The lamp's cylindrical base bears a brushed grey metal finish with a semicircular element attached to the top. One side of the semi-circle is crafted from brushed brass, the other from frosted glass.



### MATERIAL:

Electroplated Iron/ hand brushed finish

LIGHT SOURCE: Integrated LED light strip

### FINISH:

Brushed grey metal/ brushed brass/ white frosted glass  
(Other finishes available)

WATTAGE: 5W

COLOUR : 3000K

### DIMENSION :

Height	470mm	18.5"
Width	265mm	10.4"
Depth	50mm	2"
Base dia	100mm	4"

VOLTAGE: 230V

NET WEIGHT: 6.9kg 15lb

SQUARE IN CIRCLE STUDIO LTD, T: +44 (0) 203 663 9244

info@squareincircle.com, www.squareincircle.com

© All lighting designs in this document are owned by Square in Circle Studio Ltd and are strictly copyright.  
Any attempt to reproduce these designs could result in legal action.