

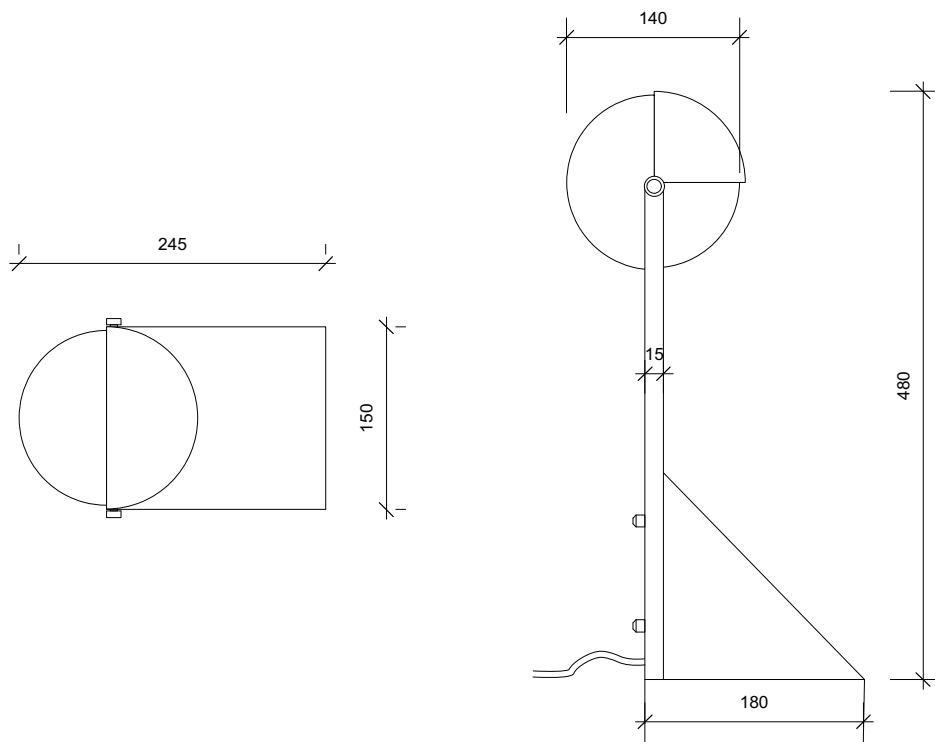


SQUARE IN CIRCLE
S T U D I O

DANCE OF GEOMETRY – TABLE LAMP

REF TL 002

Inspired by costumes from The Bauhaus Ballet, this triadic table lamp design utilizes the three essential geometric forms: square, circle and triangle. It retains a minimal contemporary look. The light is crafted from two tone metals, shown in brushed brass and brushed grey metal with an frosted glass globe.



MATERIAL:			RECOMMENDED LAMP:	G9 LED pin
Electroplated Iron/ hand brushed finish				
FINISH:			WATTAGE:	3W
Brushed brass/ brushed grey metal/ white frosted glass (Other finishes available)			VOLTAGE:	230V
			COLOUR :	3000K
DIMENSION :			NET WEIGHT:	3.8kg 8.3lb
Height	480mm	18.9"		
Globe dia	140mm	5.5"		
Width	180mm	7.1"		
Length	245mm	9.6"		

SQUARE IN CIRCLE STUDIO LTD, T: +44 (0) 203 663 9244

info@squareincircle.com, www.squareincircle.com

© All lighting designs in this document are owned by Square in Circle Studio Ltd and are strictly copyright.
Any attempt to reproduce these designs could result in legal action.