

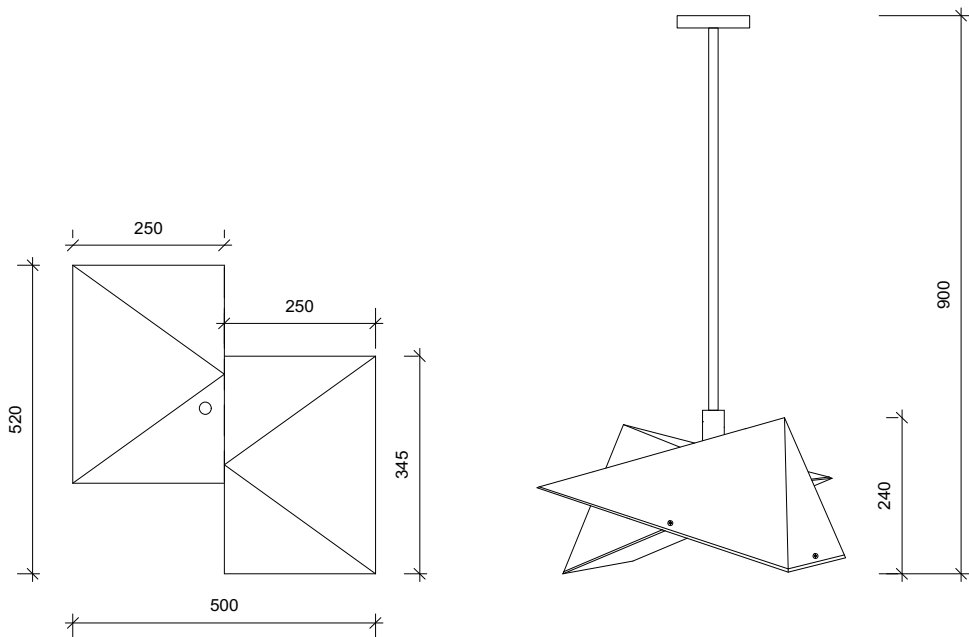


SQUARE IN CIRCLE  
S T U D I O

## TRIANGULAR PRISM – PENDANT LIGHT

REF PL 023

This light is designed from two identical size triangular prisms that are angled. One prism is finished in brushed brass, the other in brushed grey metal. An opaque glass diffuser is installed at the bases to give a fresh, ambient glow.



### MATERIAL:

Electroplated Iron/ hand brushed finish

### RECOMMENDED LAMP:

Integrated LED strip

### FINISH:

Brushed brass/ brushed grey metal/ white frosted  
perspex  
(Other finishes available)

WATTAGE:

20W

VOLTAGE:

230V

### DIMENSION :

Height	240mm	9.5"
Width	500mm	19.6"
Depth	520mm	20.4"
Overall drop	900mm	35.5"

COLOUR :

3000K

NET WEIGHT:

4.3kg

9.5lb

SQUARE IN CIRCLE STUDIO LTD, T: +44 (0) 203 663 9244

info@squareincircle.com, www.squareincircle.com

© All lighting designs in this document are owned by Square in Circle Studio Ltd and are strictly copyright.  
Any attempt to reproduce these designs could result in legal action.